

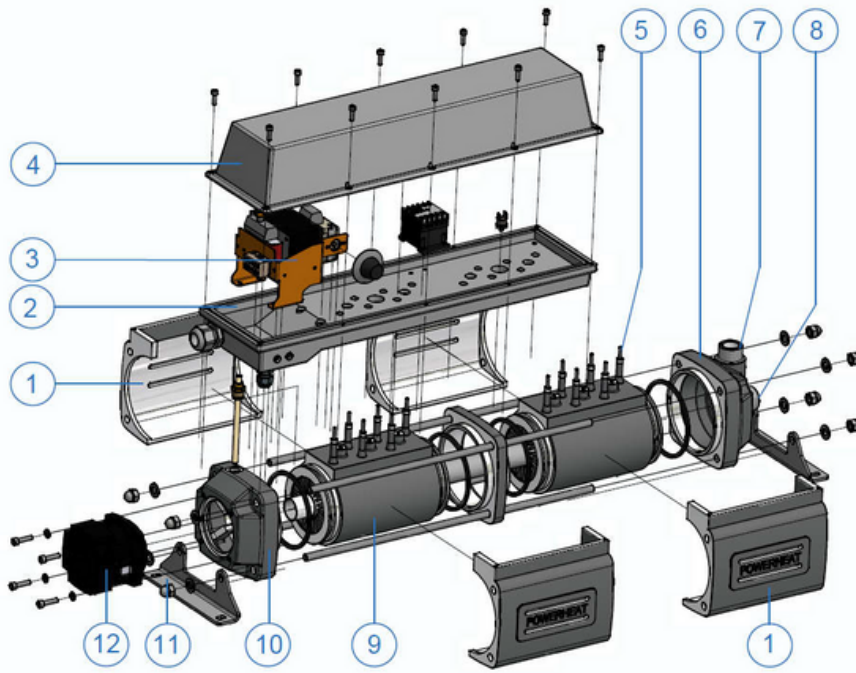


POWERHEAT

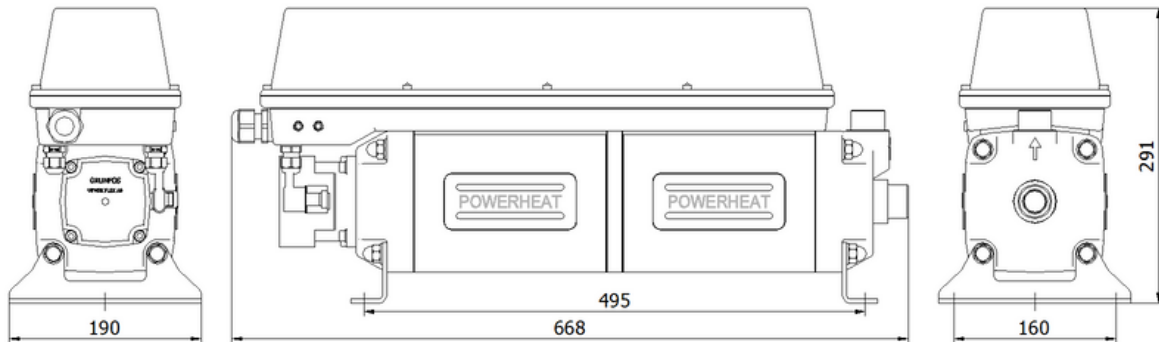
POWERHEAT is the new style (engine) pre-heater. The compact design, in combination with the chosen materials, integrated pump, adjustable thermostat and all required control and safety features, makes it an exceptional high quality heater.

The heat exchanger is based on a die-cast tubular component in aluminum with a large heating surface. The heating element is embedded in aluminum during the die-casting process so therefore completely corrosion proof and not in direct contact with the coolant or liquids. This means a more effective heating and no negative side effects for the coolant or liquids. In addition the Aluminum AS13 is finished with a Teflon coating.

POWERHEAT model	PH3400-12000	PH3400-15000	PH3400-18000
Voltage range	400 V / 50-60 Hz / 3 Ph	400 V / 50-60 Hz / 3 Ph	400 V / 50-60 Hz / 3 Ph
Heat power	12000 W	15000 W	18000 W
Thermostat	20-90°C rated 25 A	20-90°C rated 25 A	20-90°C rated 25 A
Safety thermostat	120°C	120°C	120°C
Max. operating pressure	10 bar / 145 psi	10 bar / 145 psi	10 bar / 145 psi
Surface load	4 W/cm ²	5 W/cm ²	6 W/cm ²
Water inlet and outlet	2 x 1"	2 x 1"	2 x 1"
Box ingress protection	IP 67	IP 67	IP 67
Pump power range	52 W / 230 V / 50-60 Hz	52 W / 230 V / 50-60 Hz	52 W / 230 V / 50-60 Hz
Pump flow rate	2.8 m ³ /h @ 3 m	2.8 m ³ /h @ 3 m	2.8 m ³ /h @ 3 m
Pump ingress protection	IP 44	IP 44	IP 44
Weight	29.3 kg	29.3 kg	29.3 kg
Dimensions (LxWxH)	668 x 190 x 291 mm	668 x 190 x 291 mm	668 x 190 x 291 mm



- 1 Side cover
- 2 Base Plate
- 3 Transformer
- 4 Top cover
- 5 Heating element
- 6 Front cover
- 7 Fluid OUT 1"
- 8 Fluid IN 1"
- 9 Heat exchanger
- 10 Rear cover
- 11 Support
- 12 Pump



POWER SUPPLY
3 x 400V 50Hz

