

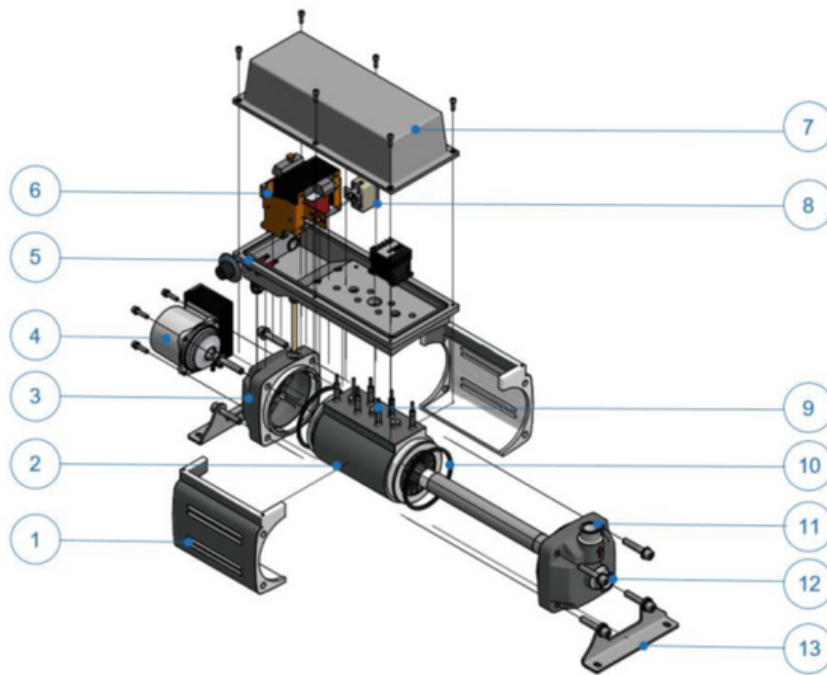


## POWERHEAT

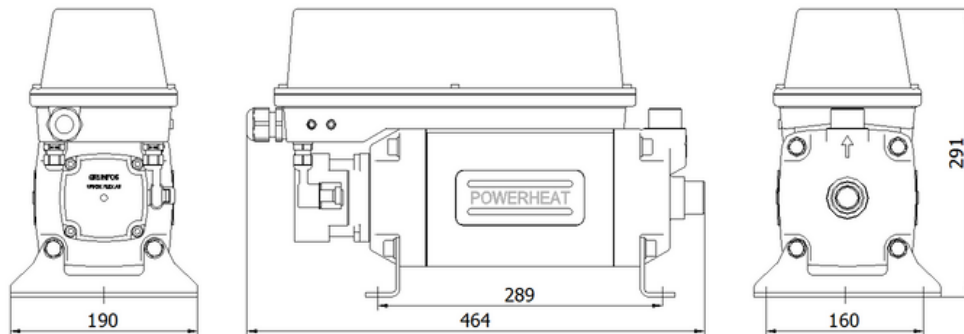
POWERHEAT is the new style (engine) pre-heater. The compact design, in combination with the chosen materials, integrated pump, adjustable thermostat and all required control and safety features, makes it an exceptional high quality heater.

The heat exchanger is based on a die-cast tubular component in aluminum with a large heating surface. The heating element is embedded in aluminum during the die-casting process so therefore completely corrosion proof and not in direct contact with the coolant or liquids. This means a more effective heating and no negative side effects for the coolant or liquids. In addition the Aluminum AS13 is finished with a Teflon coating.

POWERHEAT model	PH3480-4500	PH3480-6000	PH3480-7500	PH3480-9000
<b>Voltage range</b>	480 V / 50-60 Hz / 3 Ph	480 V / 50-60 Hz / 3 Ph	480 V / 50-60 Hz / 3 Ph	480 V / 50-60 Hz / 3 Ph
<b>Heat power</b>	4500 W	6000 W	7500 W	9000 W
<b>Thermostat</b>	20-90°C rated 25 A	20-90°C rated 25 A	20-90°C rated 25 A	20-90°C rated 25 A
<b>Safety thermostat</b>	120°C	120°C	120°C	120°C
<b>Max. operating pressure</b>	10 bar / 145 psi	10 bar / 145 psi	10 bar / 145 psi	10 bar / 145 psi
<b>Surface load</b>	3 W/cm <sup>2</sup>	4 W/cm <sup>2</sup>	5 W/cm <sup>2</sup>	6 W/cm <sup>2</sup>
<b>Water inlet and outlet</b>	2 x 1"	2 x 1"	2 x 1"	2 x 1"
<b>Box ingress protection</b>	IP 67	IP 67	IP 67	IP 67
<b>Pump power range</b>	52 W / 230 V / 50-60 Hz	52 W / 230 V / 50-60 Hz	52 W / 230 V / 50-60 Hz	52 W / 230 V / 50-60 Hz
<b>Pump flow rate</b>	2.8 m <sup>3</sup> /h @ 3 m	2.8 m <sup>3</sup> /h @ 3 m	2.8 m <sup>3</sup> /h @ 3 m	2.8 m <sup>3</sup> /h @ 3 m
<b>Pump ingress protection</b>	IP 44	IP 44	IP 44	IP 44
<b>Weight</b>	19.6 kg	19.6 kg	19.6 kg	19.6 kg
<b>Dimensions (LxWxH)</b>	464 x 190 x 291 mm	464 x 190 x 291 mm	464 x 190 x 291 mm	464 x 190 x 291 mm



- 1 Side cover
- 2 Heat exchanger
- 3 Rear cover
- 4 Pump
- 5 Base plate
- 6 Transformer
- 7 Top cover
- 8 Thermostat
- 9 Heating element
- 10 Seal
- 11 Fluid OUT 1"
- 12 Fluid IN 1"
- 13 Support



POWER SUPPLY  
3 x 480V 50Hz

