

## VariFuel2 – Air/Fuel Ratio Mixer

P/N 30.45.140-65D/M

### Variants

- control manual or via stepper motor

### Dimensions

- inner diameter of nozzle 65 mm (2.56")
- outer diameter of mixer 140 mm (5.51")
- length of mixer 146 mm (5.75")
- maximum length 242 mm (9.53") (with stepper motor)  
146 mm (5.75") (without stepper motor)

### Connections

- stepper motor 10-pole military connector

### Weight

- P/N 30.45.140-65D 7.6 kg (16.76 lbs) (with stepper motor)
- P/N 30.45.140-65M 6.5 kg (14.33 lbs) (without stepper motor)

### Mechanical Data

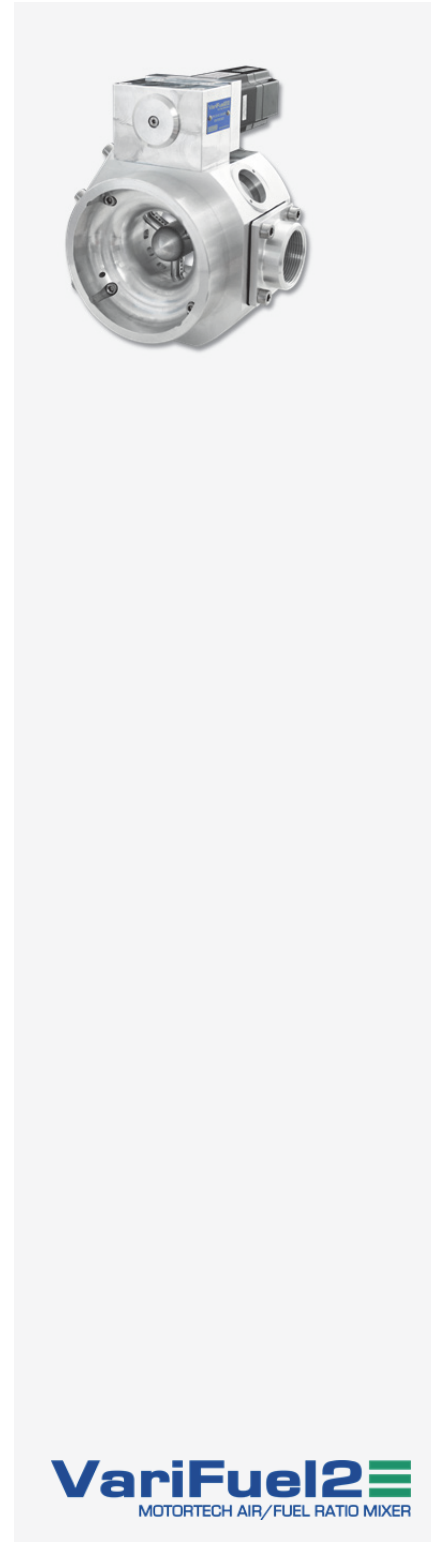
- permissible vibrations 5g at 20 to 2000 Hz
- chemical resistance water, oil, gaseous fuels
- maximum pressure 1 bar (14.50 psi)
- maximum temperature of the medium flowing through 50 °C (122 °F)

### Climatic Environmental Conditions

- permissible temperature range -10 °C to +80 °C (+14 °F to +176 °F)
- maximum relative humidity 85% without condensation up to 2000 m (6561') above sea level

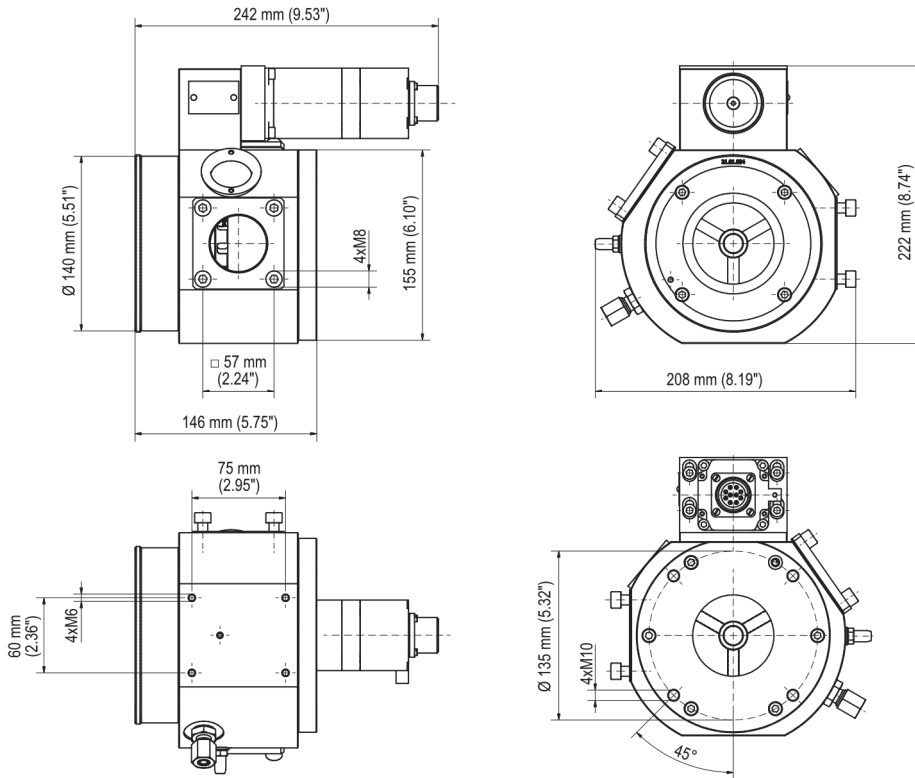
### Characteristics of Stepper Motor

- maximum rotation angle of the stepper motor 48,3°



## Overview Drawings

P/N 30.45.140-65D



P/N 30.45.140-65M

